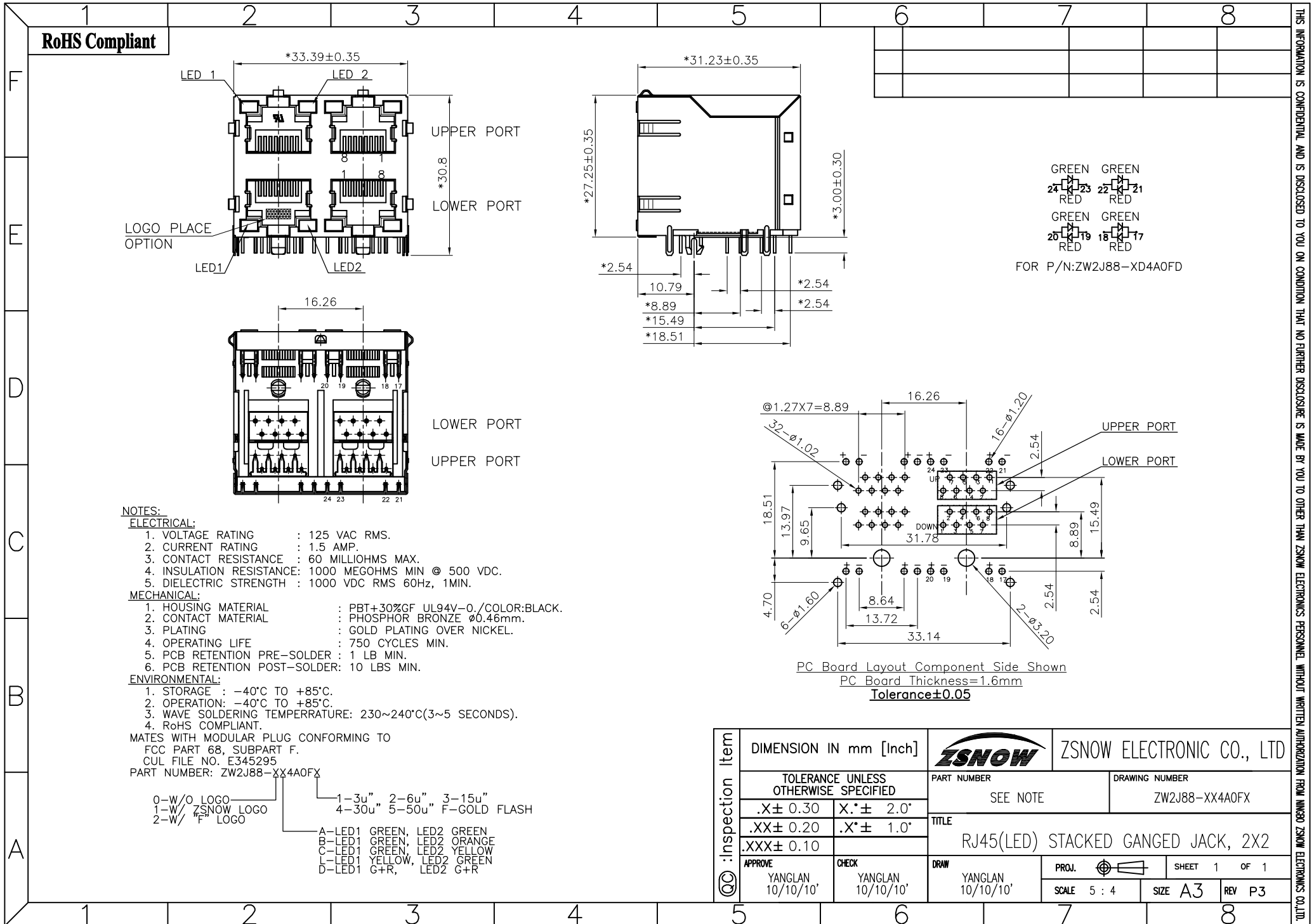
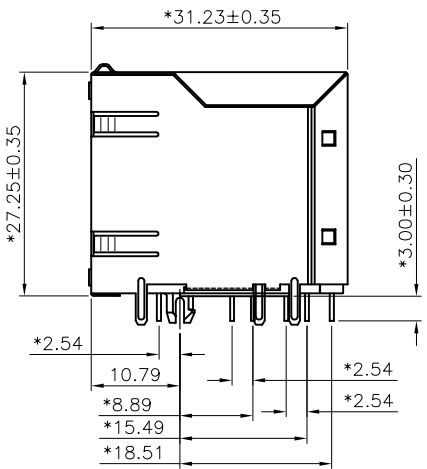
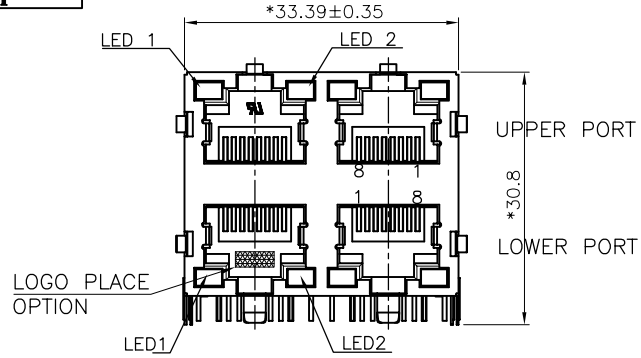


网站图纸



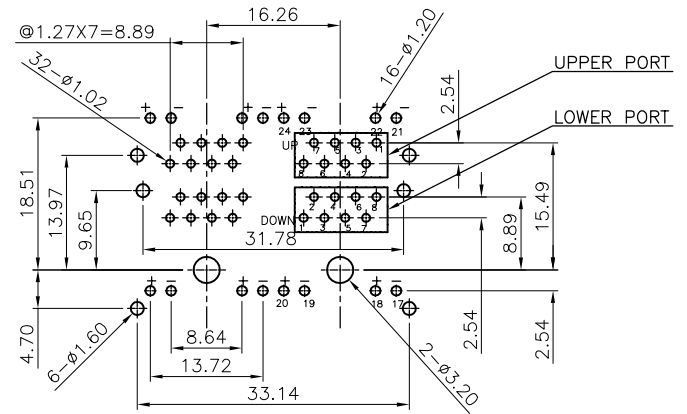
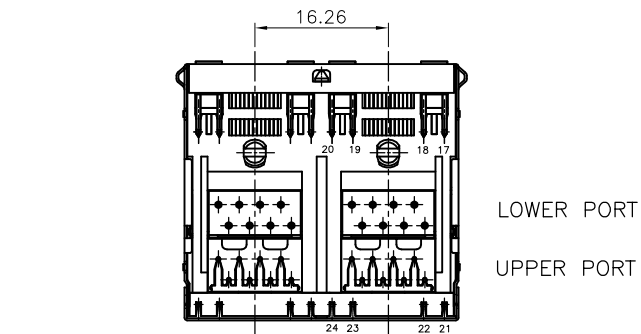
RoHS Compliant



GREEN GREEN
24 23 22 21
RED RED

GREEN GREEN
20 19 18 17
RED RED

FOR P/N: ZW2J88-XD4A0FD



PC Board Layout Component Side Shown
PC Board Thickness=1.6mm
Tolerance±0.05

- NOTES:
- ELECTRICAL:**
- VOLTAGE RATING : 125 VAC RMS.
 - CURRENT RATING : 1.5 AMP.
 - CONTACT RESISTANCE : 60 MILLIOHMS MAX.
 - INSULATION RESISTANCE: 1000 MEGOHMS MIN @ 500 VDC.
 - DIELECTRIC STRENGTH : 1000 VDC RMS 60Hz, 1MIN.
- MECHANICAL:**
- HOUSING MATERIAL : PBT+30%GF UL94V-0./COLOR:BLACK.
 - CONTACT MATERIAL : PHOSPHOR BRONZE Ø0.46mm.
 - PLATING : GOLD PLATING OVER NICKEL.
 - OPERATING LIFE : 750 CYCLES MIN.
 - PCB RETENTION PRE-SOLDER : 1 LB MIN.
 - PCB RETENTION POST-SOLDER: 10 LBS MIN.
- ENVIRONMENTAL:**
- STORAGE : -40°C TO +85°C.
 - OPERATION: -40°C TO +85°C.
 - WAVE SOLDERING TEMPERATURE: 230~240°C(3~5 SECONDS).
 - RoHS COMPLIANT.
- MATES WITH MODULAR PLUG CONFORMING TO
FCC PART 68, SUBPART F.
CUL FILE NO. E345295
PART NUMBER: ZW2J88-XX4A0FX

- 0-W/O LOGO
1-W/ ZSNOW LOGO
2-W/ F LOGO
- 1-3u" 2-6u" 3-15u"
4-30u" 5-50u" F-GOLD FLASH
- A-LED1 GREEN, LED2 GREEN
B-LED1 GREEN, LED2 ORANGE
C-LED1 GREEN, LED2 YELLOW
L-LED1 YELLOW, LED2 GREEN
D-LED1 G+R, LED2 G+R

Inspection Item	DIMENSION IN mm [Inch]		ZSNOW ELECTRONIC CO., LTD			
	TOLERANCE UNLESS OTHERWISE SPECIFIED				PART NUMBER SEE NOTE	DRAWING NUMBER ZW2J88-XX4A0FX
	.X± 0.30	X.*± 2.0*	TITLE RJ45(LED) STACKED GANGED JACK, 2X2			
	.XX± 0.20	.X*± 1.0*				
.XXX± 0.10		APPROVE YANGLAN 10/10/10'	CHECK YANGLAN 10/10/10'	DRAW YANGLAN 10/10/10'	PROJ.	SHEET 1 OF 1
		SCALE 5 : 4	SIZE A3	REV P3		

THIS INFORMATION IS CONFIDENTIAL AND IS DISCLOSED TO YOU ON CONDITION THAT NO FURTHER DISCLOSURE IS MADE BY YOU TO OTHER THAN ZSNOW ELECTRONICS PERSONNEL WITHOUT WRITTEN AUTHORIZATION FROM NINGBO ZSNOW ELECTRONICS CO.,LTD.