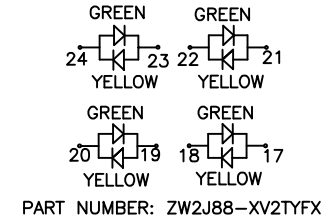
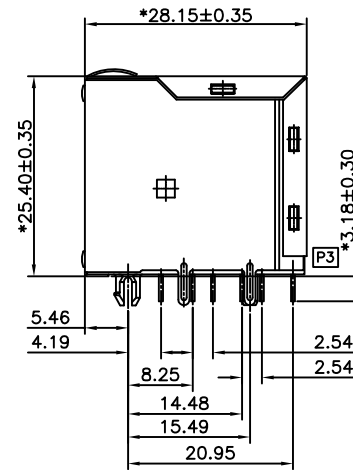
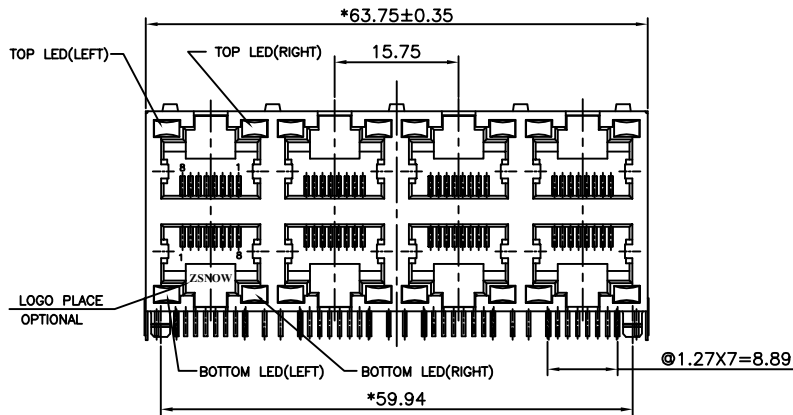


RoHS Compliant



NOTES:

ELECTRICAL:

1. VOLTAGE RATING : 125 VAC RMS.
2. CURRENT RATING : 1.5 AMP.
3. CONTACT RESISTANCE : 50 MILLIOHMS MAX.
4. INSULATION RESISTANCE: 1000 MEGOHMS MIN @ 500 VDC.
5. DIELECTRIC STRENGTH : 1000 VDC RMS 60Hz, 1MIN.

MECHANICAL:

1. HOUSING MATERIAL : PBT UL94V-0./COLOR:BLACK.
2. CONTACT MATERIAL : PHOSPHOR BRONZE Ø0.46mm.
3. PLATING : GOLD PLATING OVER NICKEL.
4. OPERATING LIFE : 750 CYCLES MIN.
5. PCB RETENTION PRE-SOLDER : 1 LB MIN.
6. PCB RETENTION POST-SOLDER: 10 LBS MIN.

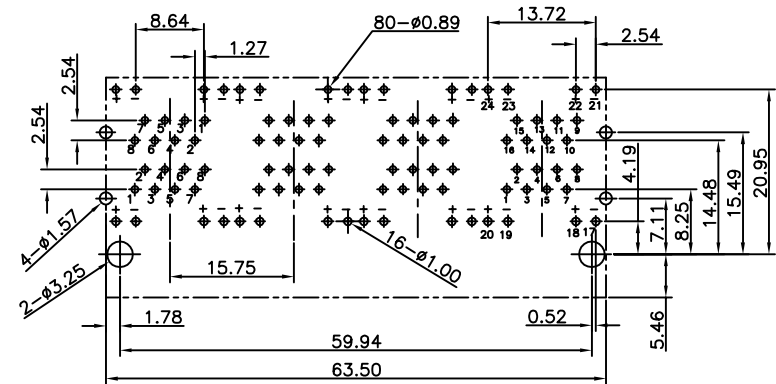
ENVIRONMENTAL:

1. STORAGE : -40°C TO +85°C.
 2. OPERATION: -40°C TO +85°C.
- MATES WITH MODULAR PLUG CONFORMING TO
FCC PART 68, SUBPART F.
RoHS PART NUMBER: ZW2J88-XX2TYFX

0-W/O LOGO
1-W/ ZSNOW LOGO
2-W/ "F" LOGO

Gold Thickness:
1-3u" 2-6u"
3-15u" 4-30u"
5-50u" F-GOLD FLASH

A-RIGHT:GREEN LEFT:GREEN
B-RIGHT:ORANGE LEFT:GREEN
C-RIGHT:YELLOW LEFT:GREEN
L-RIGHT:GREEN LEFT:YELLOW
V-RIGHT:GREEN+YELLOW LEFT:GREEN+YELLOW



PCB LAYOUT(t=1.60mm)

Inspection Item	DIMENSION IN mm [Inch]		ZSNOW		ZSNOW ELECTRONIC CO., LTD	
	TOLERANCE UNLESS OTHERWISE SPECIFIED		PART NUMBER		DRAWING NUMBER	
	PART_NO.		PART_NO.		ZW2J88-XX2TYFX	
	.X±0.30 X.*± 2.0*		TITLE			
	.XX±0.20 .X*± 1.0*					
.XXX±0.10		MINI 2X4 LED JACK				
APPROVE	CHECK	DRAW	PROJ.	SHEET	OF	
TIMLEE 07/20/17'	HAPPY 07/20/17'	ZERO 07/20/17'		1	1	
			SCALE	SIZE	REV	
			2 : 1	A3	P3	