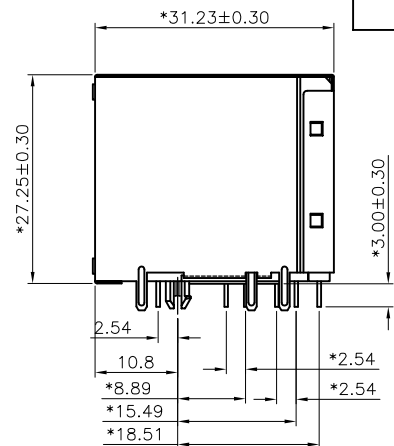
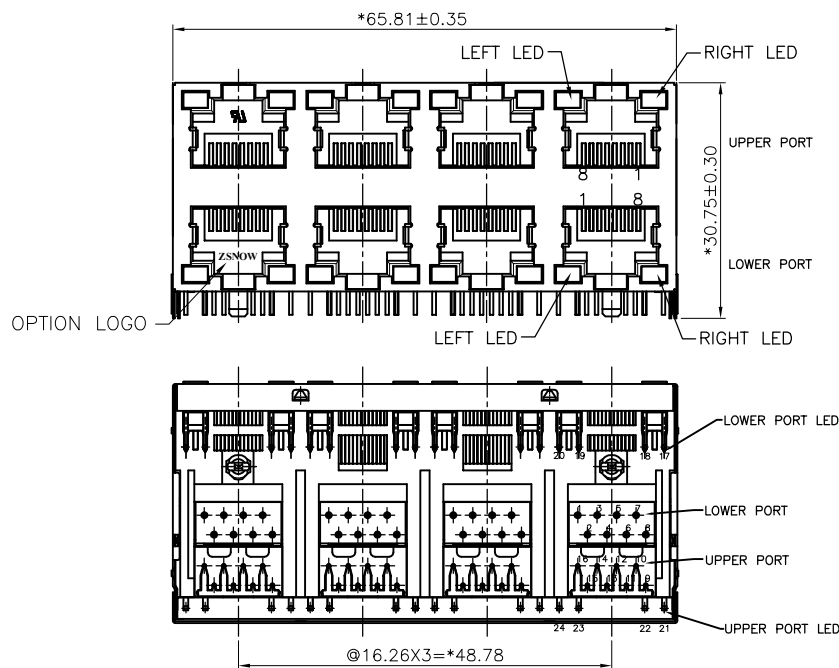
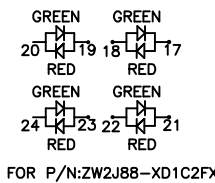
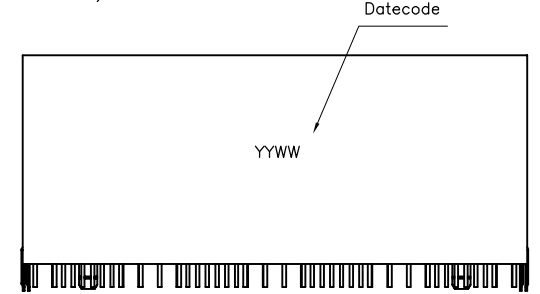


RoHS Compliant



YYWW
Year (2018--"18", 2019--"19")
Week(01,02....52)

FOR P/N: ZW2J88-XX1C2FX-DC

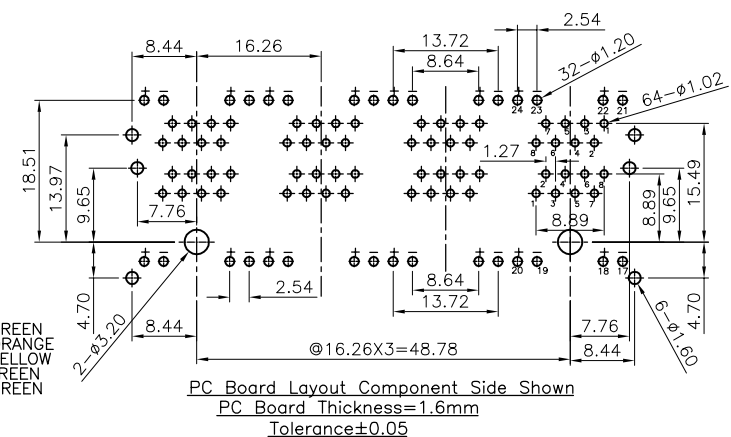


- NOTES:**
- ELECTRICAL:**
- VOLTAGE RATING : 125 VAC RMS.
 - CURRENT RATING : 1.5 AMP.
 - CONTACT RESISTANCE : 60 MILLIOHMS MAX.
 - INSULATION RESISTANCE: 1000 MEGOHMS MIN @ 500 VDC.
 - DIELECTRIC STRENGTH : 1000 VDC RMS 60Hz, 1MIN.
- MECHANICAL:**
- HOUSING MATERIAL : PBT UL94V-0./COLOR:BLACK.
 - INSERT MATERIAL : PBT UL94V-0./COLOR:BLACK.
 - SHIELD MATERIAL : COPPER ALLOY.
 - CONTACT MATERIAL : PHOSPHOR BRONZE ϕ 0.46mm.
 - PLATING : GOLD PLATING OVER NICKEL.
 - OPERATING LIFE : 750 CYCLES MIN.
 - PCB RETENTION PRE-SOLDER : 1 LB MIN.
 - PCB RETENTION POST-SOLDER : 10 LBS MIN.
 - LED COLOR : OPITON
- ENVIRONMENTAL:**
- STORAGE : -40°C TO +85°C.
 - OPERATION: -40°C TO +85°C.
- MATES WITH MODULAR PLUG CONFORMING TO FCC PART 68, SUBPART F.
PART NUMBER: ZW2J88-XX1C2FX

D/C PART NUMBER: ZW2J88-XX1C2FX-DC

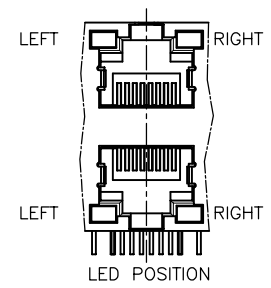
- 0-W/O LOGO
 - 1-W/ ZSNOW LOGO
 - 2-W/ "F" LOGO
- Gold Thickness:
1-3u" 2-6u" 3-15u"
4-30u" 5-50u" F-GOLD FLASH

- A-LEFT LED:GREEN, RIGHT LED:GREEN
- B-LEFT LED:GREEN, RIGHT LED:ORANGE
- C-LEFT LED:GREEN, RIGHT LED:YELLOW
- F-LEFT LED:YELLOW, RIGHT LED:GREEN
- L-LEFT LED:ORANGE, RIGHT LED:GREEN
- D-LEFT LED:G+R, RIGHT LED:G+R



- 0-W/O LOGO
 - 1-W/ ZSNOW LOGO
 - 2-W/ "F" LOGO
- Gold Thickness:
1-3u" 2-6u" 3-15u"
4-30u" 5-50u" F-GOLD FLASH

- A-LEFT LED:GREEN, RIGHT LED:GREEN
- B-LEFT LED:GREEN, RIGHT LED:ORANGE
- C-LEFT LED:GREEN, RIGHT LED:YELLOW
- F-LEFT LED:YELLOW, RIGHT LED:GREEN
- L-LEFT LED:ORANGE, RIGHT LED:GREEN
- D-LEFT LED:G+R, RIGHT LED:G+R



Inspection Item	DIMENSION IN mm [Inch]		ZSNOW ELECTRONIC CO., LTD	
	TOLERANCE UNLESS OTHERWISE SPECIFIED		PART NUMBER	DRAWING NUMBER
	.X±0.30	X."± 2.0"	SEE NOTE	ZW2J88-XX1C2FX
	.XX±0.20	.X"± 1.0"	TITLE	
.XXX±0.10		RJ45(LED) STACKED GANGED JACK, 2X4		
APPROVE	CHECK	DRAW	PROJ.	SHEET 1 OF 1
TIMLEE 2016,08,16	Happy,Huang 2016,08,16	Zero,Jin 2016,08,16	SCALE 2:1	REV P2

THIS INFORMATION IS CONFIDENTIAL AND IS DISCLOSED TO YOU ON CONDITION THAT NO FURTHER DISCLOSURE IS MADE BY YOU TO OTHER THAN ZSNOW ELECTRONICS PERSONNEL WITHOUT WRITTEN AUTHORIZATION FROM ANERO ZSNOW ELECTRONICS CO.,LTD.