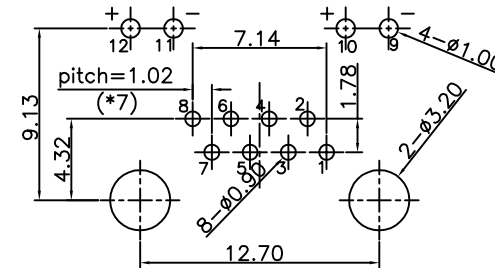
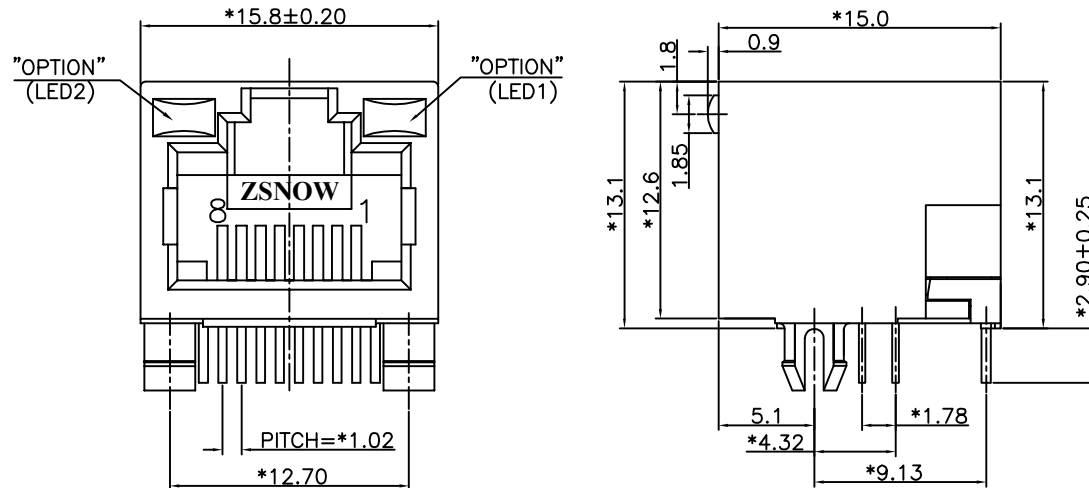
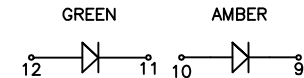


RoHS Compliant



PC Board Layout Component Side Shown  
PC Board Thickness=1.60mm  
Tolerance±0.05



FOR P/N: ZW2J88-JC43S1X

**NOTES:**

**ELECTRICAL:**

1. VOLTAGE RATING : 125 VAC RMS.
2. CURRENT RATING : 1.5 AMP.
3. CONTACT RESISTANCE : 30 MILLIOHMS MAX.
4. INSULATION RESISTANCE: 1000 MEGOHMS MIN @ 500 VDC.
5. DIELECTRIC STRENGTH : 1000 VDC RMS 60Hz, 1MIN.
6. LED RATINGS: FORWARD VOLTAGE: 2.2 VOLTS TYPICAL.  
REVERSE VOLTAGE: 5 VOLTS MAXIMUM.

7. OPERATING: 750 CYCLES MIN.

**MECHANICAL:**

1. HOUSING MATERIAL : PBT UL94V-0 /COLOR:WHITE.
2. INSERT MATERIAL: PBT UL94V-0 /COLOR:WHITE.
3. BACK PLATE MATERIAL : PBT UL94V-0 /COLOR:WHITE.
4. LED SIZE : 3.2\*2.0\*7.0\*P=2.54mm.
5. CONTACT MATERIAL : PHOSPHOR BRONZE T=0.35mm.
6. PLATING : GOLD PLATING OVER NICKEL.
7. PCB RETENTION PRE-SOLDER: 1 LB MIN.
8. PCB RETENTION POST-SOLDER: 10 LBS MIN.

**ENVIRONMENTAL:**

1. STORAGE : -40°C TO +85°C.
2. OPERATION: -40°C TO +85°C.
3. WAVE SOLDERING TEMPERATURE: 255~265°C(9~11 SECONDS).
4. RoHS COMPLIANT.

MATES WITH MODULAR PLUG CONFORMING TO

FCC PART 68, SUBPART F.

CUL FILE NO. E345295

PART NUMBER: ZW2J88-JCXXS1X



43-W/ ZSNOW LOGO,LED1:AMBER,LED2:GREEN

inspection item	DIMENSION IN mm [Inch]		<b>ZSNOW</b>		ZSNOW ELECTRONIC CO., LTD	
	TOLERANCE UNLESS OTHERWISE SPECIFIED		PART NUMBER		DRAWING NUMBER	
	.X± 0.30 X.*± 2.0°		SEE NOTE		ZW2J8X-JCXXS1X-25	
	.XX± 0.20 .X.*± 1.0°		TITLE			
.XXX± 0.10		W/O SHIELD LED JACK				
APPROVE	CHECK	DRAW	PROJ.	SHEET	OF	
TIMLEE 07/10/19'	ZERO 07/10/19'	HAPPY 07/10/19'		1	1	
		SCALE	SIZE	REV		
		4 : 1	A3	P1		