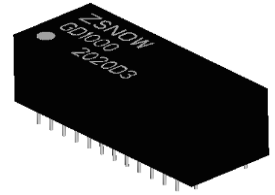


10/100/1000 BASE-T Dual PORT LAN FILTER

Description

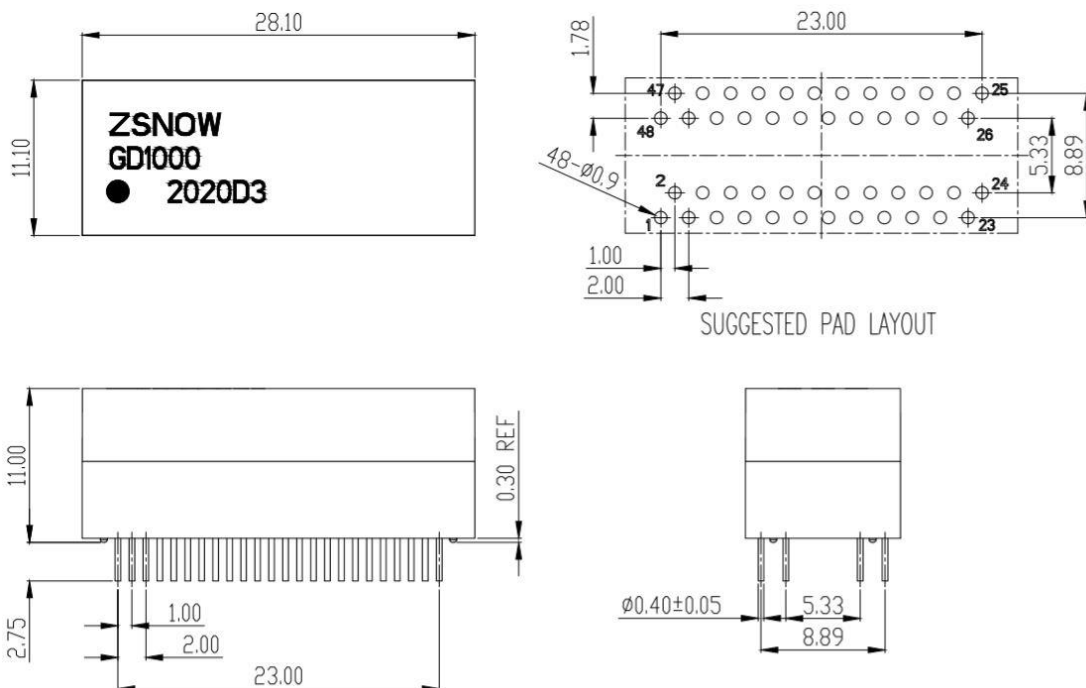
- IEEE 802.3af/ANSI X3.263 compliant performance.
- Suitable for End-span POE applications with 350mA current capability.
- Comply with RoHS & Halogen Free requirements.
- Operating temperature range from: -40°C to +85°C.
- Storage temperature range from: -40°C to +85°C.



Electrical Specifications @ 25°C

Hi-pot:1500Vrms , Turns Ratio TX/RX(±5%):1CT:1CT , OCL:350uH min @100KHz/0.1V with 8mA DC Bias												
Part No	Insertion Loss (dB Max)	Return Loss (dB Min)					Cross talk (dB Min)			DCMR (dB Min)		
		1-100MHz	1-30MHz	40MHz	50MHz	60-80MHz	100MHz	30MHz	60MHz	100MHz	30MHz	60MHz
GD1000	-1.0	-18	-16	-14.08	-12.5	-10	-40	-35	-30	-43	-37	-33

Mechanical



Dimension: mm / Unless otherwise specified, tolerances:±0.3(mm)

10/100/1000 BASE-T Dual PORT LAN FILTER

Schematic

