

## 10G BASE-T DUAL PORT LAN FILTER

### Description

- Design for 10G ethernet application. Complying with IEEE 802.3af standard.
- Suitable for End-span POE applications with 350mA current capability.
- Comply with RoHS & Halogen Free requirements.
- Operating temperature range from: -40°C to +85°C.
- Storage temperature range from: -40°C to +85°C.

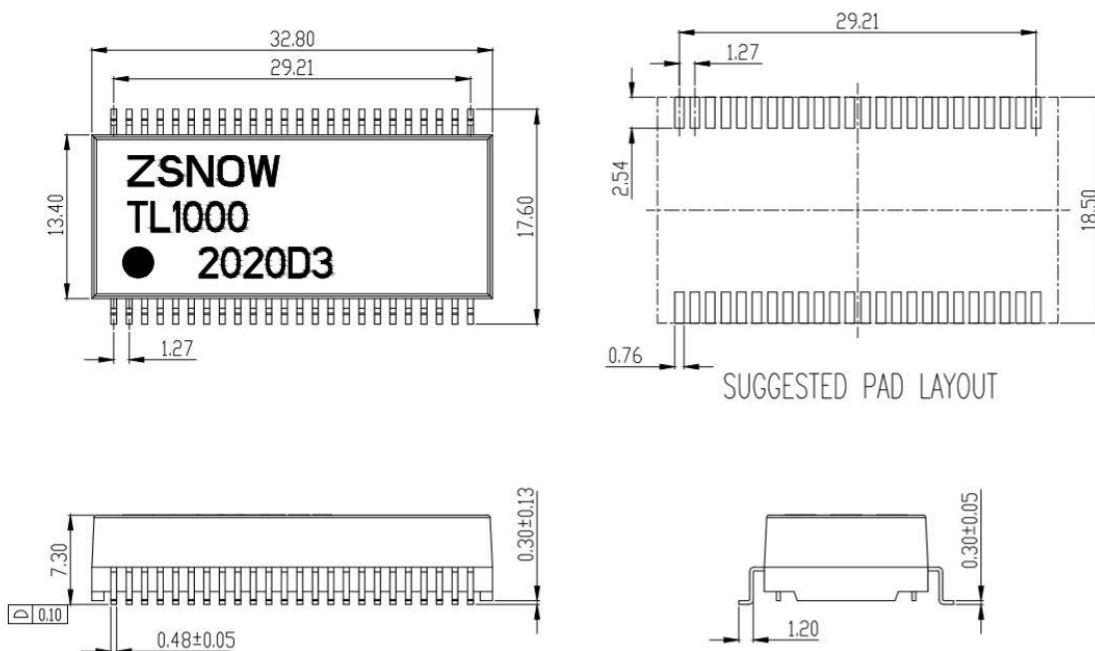


### Electrical Specifications @ 25°C

| Hi-pot:1500 Vrms , Turns Ratio TX/RX(±5%):1CT:1CT , <b>OCL:100(uH Min)</b> @100KHz/0.1V |                            |        |        |                                   |            |        |        |
|---|----------------------------|--------|--------|-----------------------------------|------------|--------|--------|
| Part No   | Insertion Loss<br>(dB Max) |        |        | Return Loss<br>(dB Min) Load 100Ω |            |        |        |
|   | 1-300MHz                   | 400MHz | 500MHz | 1-100MHz                          | 200-300MHz | 400MHz | 500MHz |
| TL1000  | - 1.0                      | -1.5   | -2.0   | -18                               | -12        | -11    | -10    |

| Part No | Cross talk<br>(dB Min) |            | DCMR<br>(dB Min) |            |
|---------|------------------------|------------|------------------|------------|
|         | 1-100MHz               | 100-500MHz | 1-250MHz         | 250-500MHz |
| TL1000  | -40                    | -30        | -30              | -22        |

### Mechanical



Dimension: mm / Unless otherwise specified, tolerances: ±0.25(mm)

# 10G BASE-T DUAL PORT LAN FILTER

## Schematic

