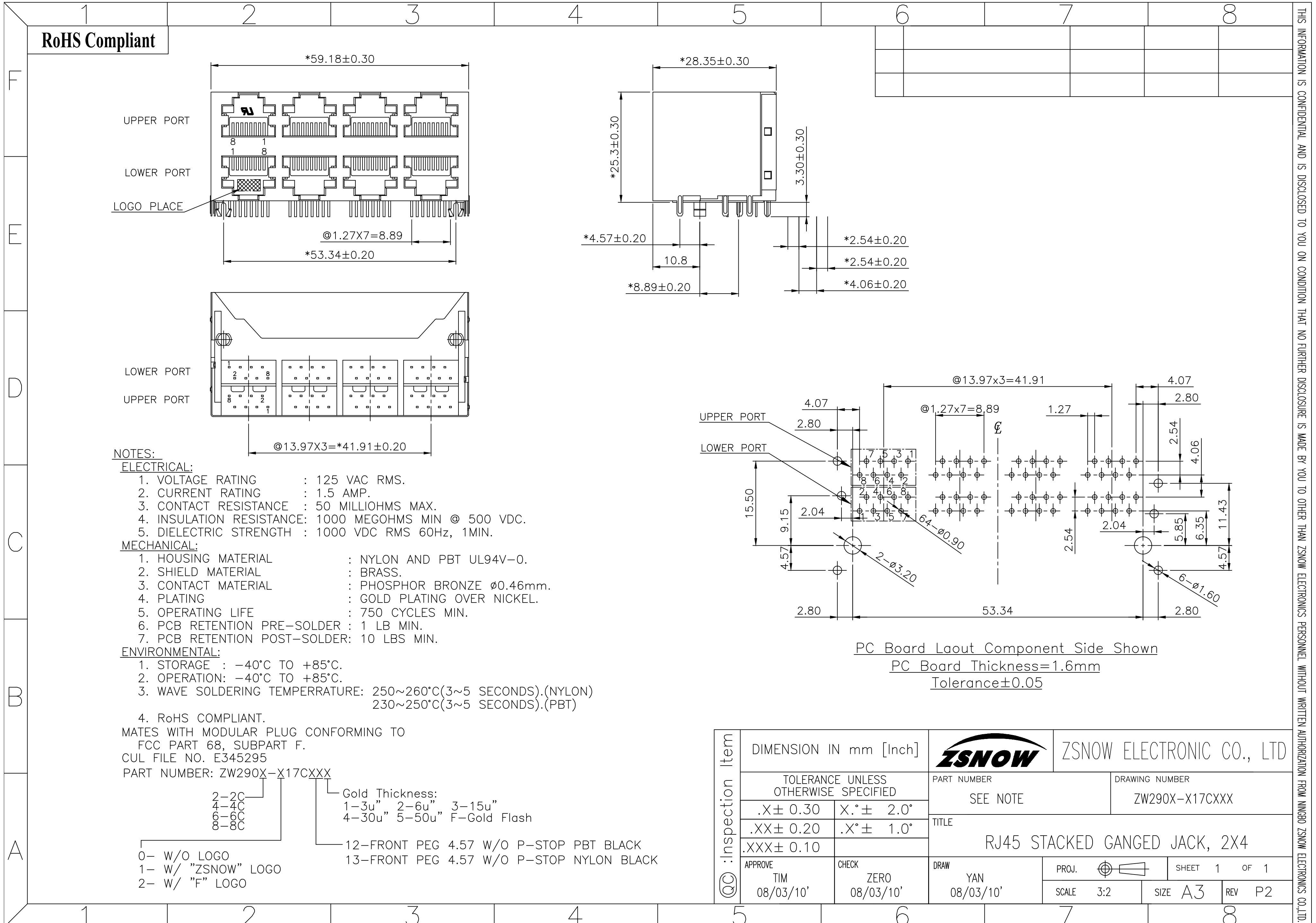
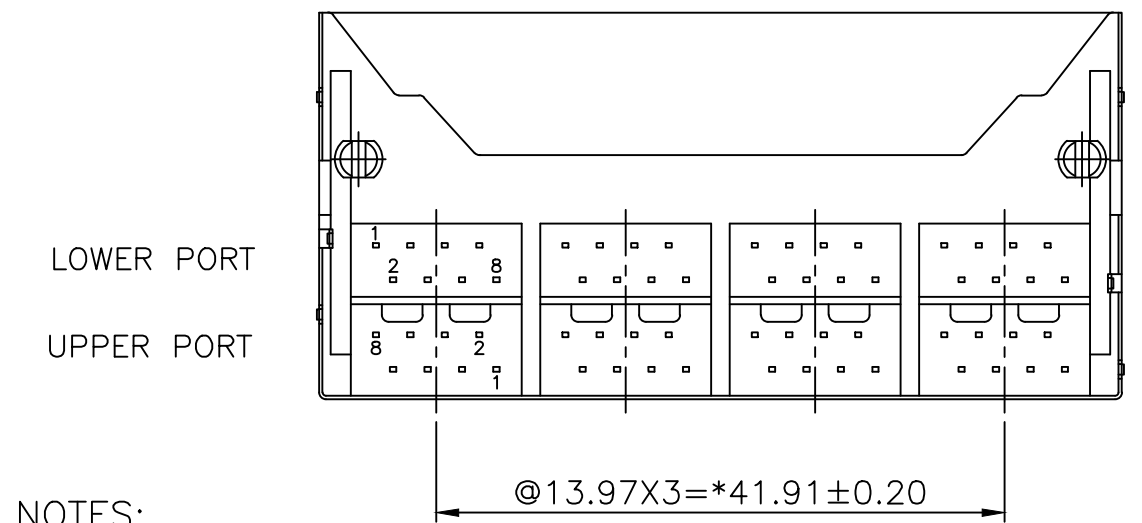
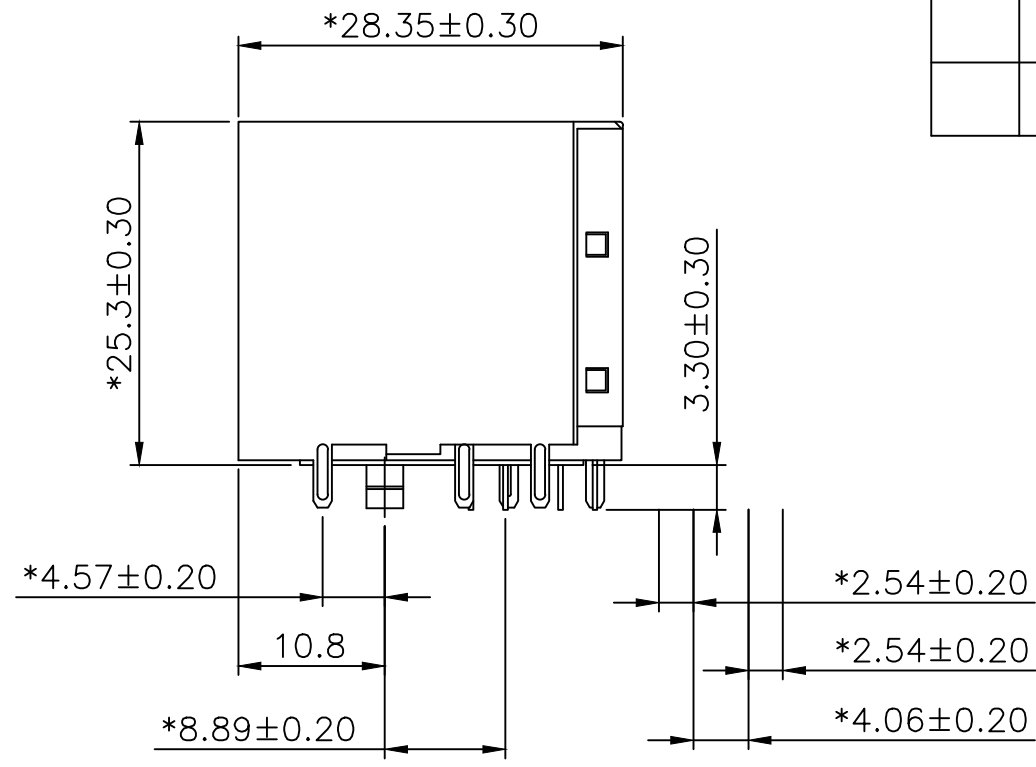
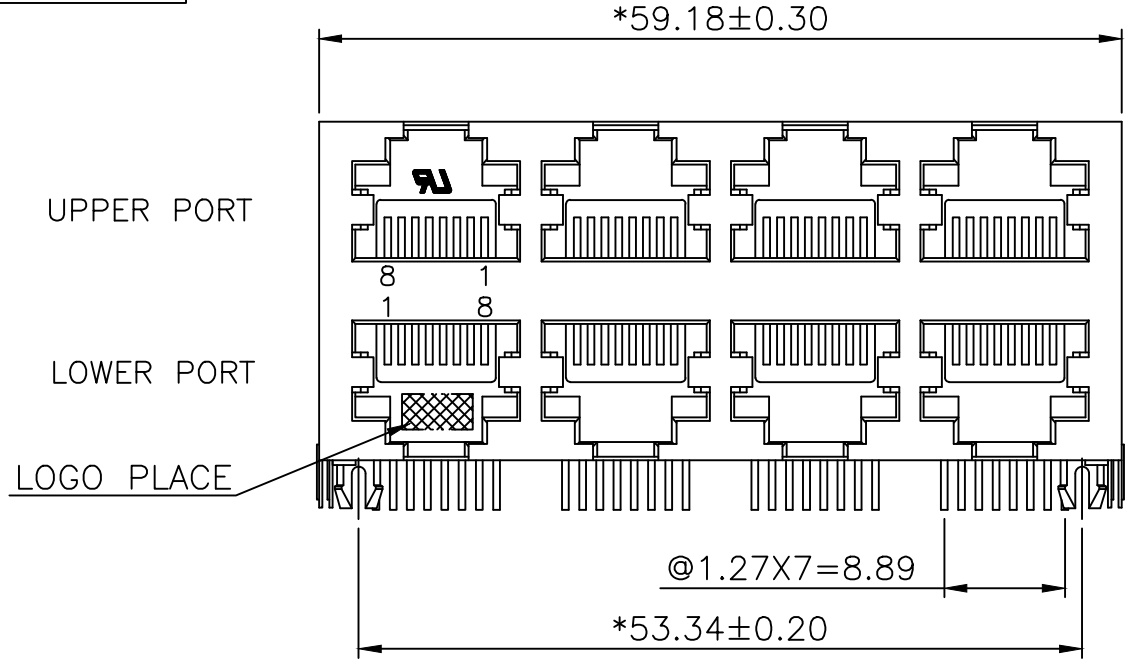


网站图纸



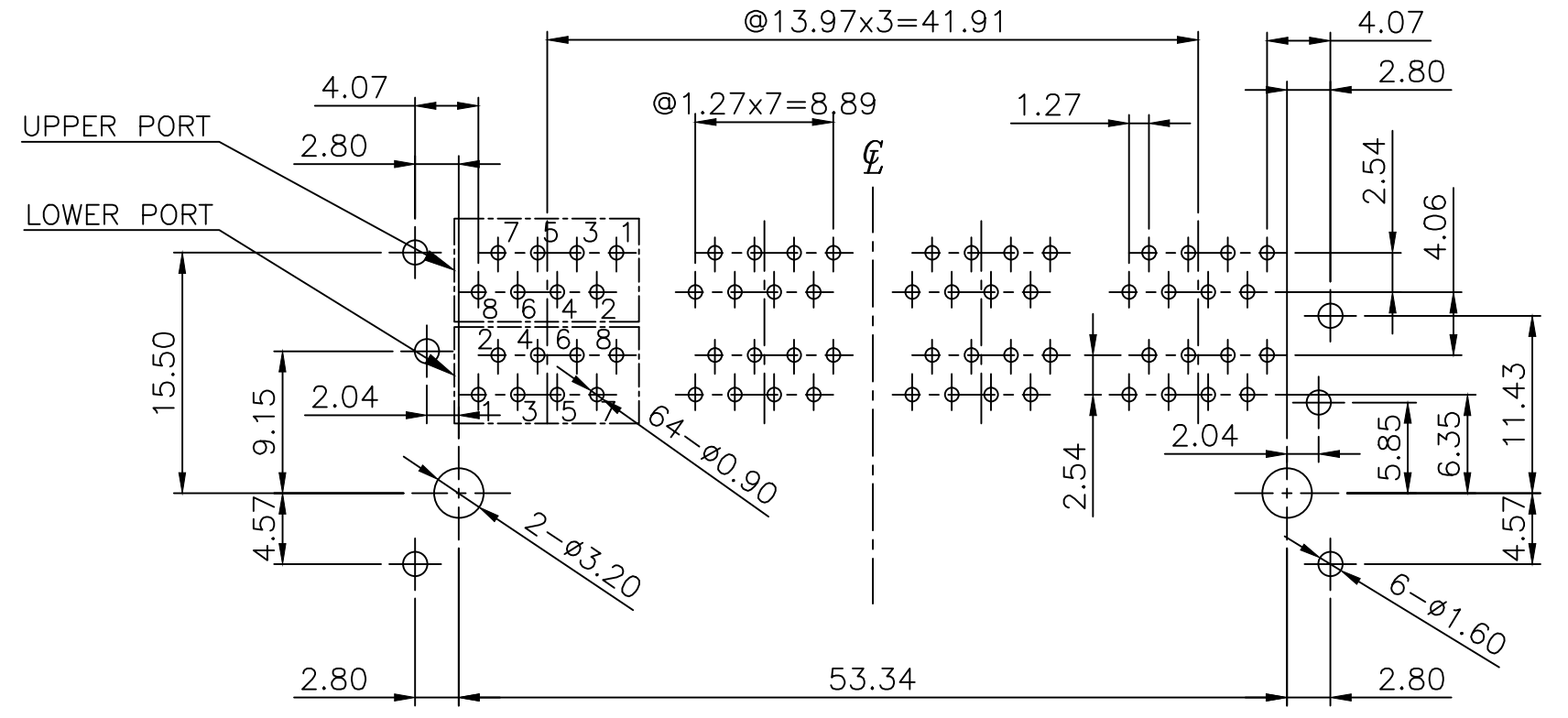
RoHS Compliant



- NOTES:
- ELECTRICAL:**
- VOLTAGE RATING : 125 VAC RMS.
 - CURRENT RATING : 1.5 AMP.
 - CONTACT RESISTANCE : 50 MILLIOHMS MAX.
 - INSULATION RESISTANCE: 1000 MEGOHMS MIN @ 500 VDC.
 - DIELECTRIC STRENGTH : 1000 VDC RMS 60Hz, 1MIN.
- MECHANICAL:**
- HOUSING MATERIAL : NYLON AND PBT UL94V-0.
 - SHIELD MATERIAL : BRASS.
 - CONTACT MATERIAL : PHOSPHOR BRONZE ϕ 0.46mm.
 - PLATING : GOLD PLATING OVER NICKEL.
 - OPERATING LIFE : 750 CYCLES MIN.
 - PCB RETENTION PRE-SOLDER : 1 LB MIN.
 - PCB RETENTION POST-SOLDER: 10 LBS MIN.
- ENVIRONMENTAL:**
- STORAGE : -40°C TO +85°C.
 - OPERATION: -40°C TO +85°C.
 - WAVE SOLDERING TEMPERATURE: 250~260°C(3~5 SECONDS).(NYLON)
230~250°C(3~5 SECONDS).(PBT)
 - RoHS COMPLIANT.

MATES WITH MODULAR PLUG CONFORMING TO
FCC PART 68, SUBPART F.
CUL FILE NO. E345295
PART NUMBER: ZW290X-X17CXXX

- 2-2C
- 4-4C
- 6-6C
- 8-8C
- Gold Thickness:
1-3u" 2-6u" 3-15u"
4-30u" 5-50u" F-Gold Flash
- 12-FRONT PEG 4.57 W/O P-STOP PBT BLACK
- 13-FRONT PEG 4.57 W/O P-STOP NYLON BLACK
- 0- W/O LOGO
- 1- W/ "ZSNOW" LOGO
- 2- W/ "F" LOGO



PC Board Laout Component Side Shown
PC Board Thickness=1.6mm
Tolerance±0.05

QC : inspection item	DIMENSION IN mm [Inch]	ZSNOW ZSNOW ELECTRONIC CO., LTD	
	TOLERANCE UNLESS OTHERWISE SPECIFIED	PART NUMBER SEE NOTE	DRAWING NUMBER ZW290X-X17CXXX
	.X± 0.30 X.°± 2.0°	TITLE RJ45 STACKED GANGED JACK, 2X4	
	.XX± 0.20 .X°± 1.0°	APPROVE TIM 08/03/10'	CHECK ZERO 08/03/10'
.XXX± 0.10	PROJ. SCALE 3:2	SHEET 1 OF 1	SIZE A3 REV P2

THIS INFORMATION IS CONFIDENTIAL AND IS DISCLOSED TO YOU ON CONDITION THAT NO FURTHER DISCLOSURE IS MADE BY YOU TO OTHER THAN ZSNOW ELECTRONICS PERSONNEL WITHOUT WRITTEN AUTHORIZATION FROM NINGBO ZSNOW ELECTRONICS CO.,LTD.